

INSTRUCTION MANUAL

GSM/GPRS Communicator-Alarm Back-up system for 24h Alarm monitoring stations

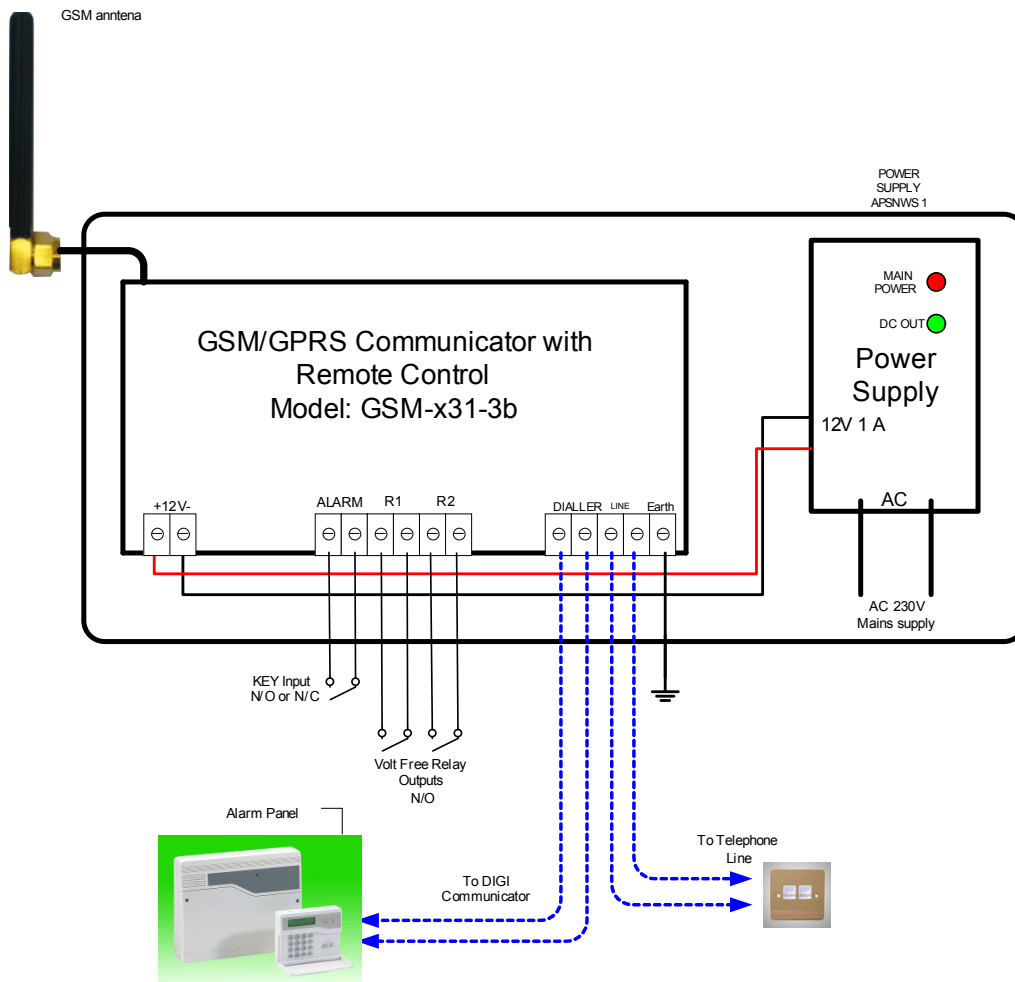


Model: **GSM-x31-3bPS**

We would like to thank you all for purchasing this New World Security product. We trust you will see the unique benefits of using this professionally designed and engineered product.

This GSM/GPRS unit has been developed through a growing demand to connect alarm panels with CID, SIA, protocols to the monitoring stations.

Please read this manual carefully before installation.



GSM/GPRS Communicator installation is very easy and simple, without big and hard programming manuals...

Few text SMS and system ready!

System Installation

1. Connect GPRS Alarm BackUp to 220VAC Power Line and Dialer output to Alarm Panel.
2. Insert fresh SIM card with disconnected PIN code to GPRS Alarm BackUp, and turn On Power,

IMPORTANT!

The device is NOT compatible with pure 3G SIM cards. Only 2G/GSM SIM cards and 3G SIM cards with 2G/GSM profile enabled are supported. When mounting the GSM antenna, choose a location which is away from human interaction and away from the alarm panel. Route the GSM antenna cable from the GSM-x31-3b so that it is separate from the power supply cables. Always ensure the power is off to the GSM-x31-3b before inserting or removing the SIM card.

SYSTEM Programming:

STEP 1 From Smartphone Send text SMS **GPRS?** to GSM-x31-3b communicator SIM card Number

GPRS?



STEP 2 Received text SMS Need edit , replace Account, Port, IP, Tel numbers to your required and forward back to GPRS Alarm BackUp Sim card number.



GPRS Set:
Mode:1
Account:0000
IP:00.00.00.00
Port:0000
Key:1234567890123456
Test sec.:0010
APN:
Tel:0

Mode 0- GSM/GPRS communicator transmit CID protocol by GSM Network or PSTN Telephone Line

Mode 1- GSM/GPRS communicator work in SIA IP protocol

Mode 2- GSM/GPRS communicator works with SIA IP Encryption Key protocol

Mode 3 - GSM/GPRS communicator work in Enigma2 protocol

Account - User account number

IP - IP Alarm receiver IP address

Port - IP Alarm receiver Port address

Key - Encryption Key (only for mode2)

Test sec - Poll signal intervals in sec.

APN - not edit , default by Network Provider.

Tel - Admin phone number for the future access to GPRS Alarm BackUp system

note: After first programming only Admin can connect and edit GPRS settings.

STEP 3 After sending SMS system will send programming confirmation



Write config GPRS is successfull!

STEP 4 To test GSM/GPRS communicator programming (only mode 1,2,3):

send SMS with text **GPRS test**

When all settings are correct and system successfully connected with Alarm IP receiver communicator READY LED stopped "Flashing" And respond SMS GPRS test OK

Manufacturer: **New World Security**

Ph: +353 86 3310929

Email: sales@new-world-security.com

www.new-world-security.com